



INDUSTRIAL RANGE



Pinchweld Trims



Mats & Sheet Rubber



Docking Rubbers



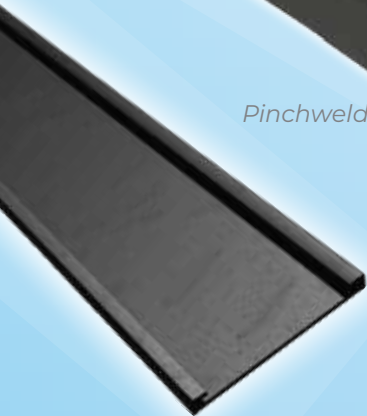
Pinchweld Co-extrusions



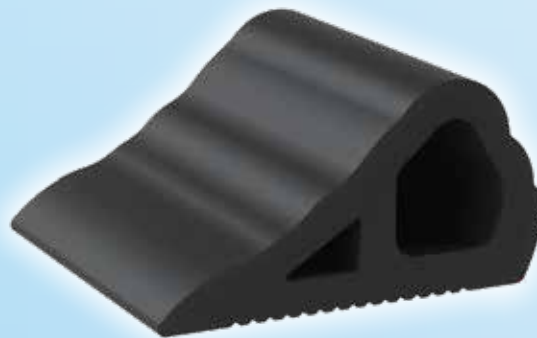
Insertion Strip



Sponge Seals



Tank Straps



Wheel Chocks



Glazing Rubbers



MELB
RUBBER

The MELB RUBBER Story

In case you were wondering MELB stands for ,
My , Ella (my Daughter) , Lachlan (my Son) and Bronnie (Myself) .

Being a Mother to my two beautiful children is my greatest honour. Everything I do is driven by my desire to give Lachlan and Ella a great life, and to show them that passion, dedication, resilience, and hard work always pay off.

I do everything for my children—so naming the shop after them felt only right!

Now moving on to ...

The MELB RUBBER Difference

After over eight years of experience in this specialised industry, I'm excited to have launch my own business at the end of 2024. Our mission is simple: to deliver premium-quality products and exceptional service to industries and communities across Australia—whether nearby or far-reaching. We're committed to building lasting relationships, focusing on supporting local growth, and setting a new standard for excellence in every product and service we provide.

With having already supplying MELB RUBBER products to areas in Sydney, Melbourne, Wagga Wagga, Canberra and Adelaide and any where in between, we have never been better placed to provide a national supply solution and service.

The company is founded on a solid bases of core values, which include

Knowledge, Performance, Exceptional Customer Service, Honesty and Integrity.





We base our supply package on the following key strengths:

Customer Focused Service:

Our service to you, the customer, is the essence of our company. We see our customers as our greatest assets.

Large Stock Holdings:

We carry large stocks to ensure you have a consistent and reliable supply source.

Express Delivery Systems:

We have a warehouse and distribution network that allows us to service customers Australia wide – shipping what you want, where you want, when you want!

Dedicated After Sales Support:

Our service extends from order to delivery and beyond. We are always there to help.

Constant Research And Development:

Constant improvement and refinement ensures we keep pace with our customers and their needs.

We source and supply what you want based on demand!

A Proven Performance Record:

More than 8 years' experience ensures you have industry service that you can rely on, every time.

Competitive Pricing:

Our prices are constantly monitored against the marketplace to ensure you receive the best value.

The Perfect Balance:

We offer the perfect balance between big company value and small company service.

Offering pricing that work for both retail and wholesale

Our entire company, from the warehouse to the boardroom, is passionate about our customers and their needs.

Additional Services Provided:

Custom Cutting (In Store)

Water Jet Cut Gaskets

Laser Cutting

Custom Extrusions

Thermal / Acoustic Insulation

Contact Us Today

When it comes to premium rubber extrusions, products and reliable service in Australia, MELB RUBBER delivers. Guaranteed.

Contact our team today to talk through your project, request a quote, or learn how we can help bring your ideas to life.

MELB RUBBER - The Rubber Specialists

ALBURY

1A - 119 Borella Rd, Albury, N.S.W , 2640

Mobile : 0459 667 861

Email : Melbrubber.01@gmail.com

Website : www.MELBRubber.com.au

Facebook : MELB Rubber

Self-Adhesive Sponge Seals

EL-50110-RL50

NEW

✳ EPDM Sponge ✳ 50m Roll

EL-50109-RL33

NEW

✳ EPDM Sponge ✳ 33m Roll

EL-135AT-RL33

✳ EPDM Sponge ✳ 33m Roll

EL-019-RL66

✳ EPDM Sponge ✳ 66m Roll

EL-50449-RL33

✳ EPDM Sponge ✳ 33m Roll

EL-5036-RL228

✳ EPDM Sponge ✳ 228.6m Roll

EL-5036-2-RL33

✳ EPDM Sponge ✳ 33m Roll

TPR

EL-TP95-RL50

✳ TPR ✳ 50m Roll

Universal Tailgate Seal

EL-TGSEAL-RL33

✳ EPDM Sponge ✳ 33m Roll

Universal Tailgate Seal

OZ-TGSEAL-RL33

✳ EPDM Sponge ✳ 33m Roll



Pinchweld PVC Trims - 50m Rolls

EL 059-RL50 BLACK

Grip Range: 0.5 - 1.0mm

EL 063-RL50 BLACK

Grip Range: 1.0 - 2.0mm

EL18-RL50 BLACK

Grip Range: 0.5 - 1.2mm

EL 035-RL50 BLACK

Grip Range: 0.5 - 2.0mm

EL 037-RL50 BLACK

Grip Range: 1.5 - 4.5mm

EL 056-RL50 BLACK

Grip Range: 1.0 - 3.5mm

EL 719-RL50 BLACK

Grip Range: 0.5 - 1.2mm

EL 173-RL50 BLACK NEW

Grip Range: 0.5 - 1.2mm

EL 020 BLK-RL50 BLACK
EL 020 RED-RL50 RED
EL 020 GRY-RL50 GREY
EL 020BRN-RL50 BROWN

Grip Range: 0.8 - 3.5mm

EL 083B-RL50 BLACK

Grip Range: 4.0 - 5.5mm

EL 083G-RL50 GREY

Grip Range: 4.0 - 5.5mm

EL 310-RL50 BLACK
EL 311-RL50 SADDLE
EL 312-RL50 GAZELLE
EL 313-RL50 BUCKSKIN
EL 314-RL50 CHAMOIS

Grip Range: 2.0 - 5.0mm
 ⚡ Suits early model Holdens NEW

EL 295B-RL50 BLACK

Grip Range: 2.0 - 5.0mm

EL 295W-RL50 WHITE

Grip Range: 2.0 - 5.0mm

Pinchweld EPDM Trim

EL 222-RL50 BLACK EPDM

Grip Range: 1.0 - 4.0mm

Marine Pinchweld PVC Trim

EL623W

Grip Range: 1.5 - 4.3mm
 ⚡ 61m Roll ⚡ Marine Grade with Aluminium Clip
 ⚡ by the metre



Pinchweld Co Extrusions - 50m Rolls

EL 2360-RL50

Grip Range: 1.0 - 2.0mm

EL 2359-RL50

Grip Range: 1.0 - 2.5mm

EL 053-RL50

Grip Range: 0.5 - 4.0mm
Wire Cage

EL 058-RL50

Grip Range: 1.0 - 2.0mm
PVC-EPDM Sponge

ONE

EL 040-RL50

Grip Range: 0.8 - 2.5mm

EL 555-RL50

Grip Range: 0.8 - 2.5mm
PVC-EPDM Sponge

EL 054-RL50

Grip Range: 0.8 - 3.0mm
PVC-EPDM Sponge

EL 004-RL50

Grip Range: 1.0 - 4.0mm

EL LR08-RL50

Grip Range: 0.8 - 3.0mm

EL 017-RL50

Grip Range: 0.8 - 4.0mm

EL BR07-RL50

Grip Range: 1.5 - 5.6mm

EL 013-RL50

Grip Range: 1.0 - 4.0mm

EL 014-RL50

Grip Range: 1.0 - 4.0mm

EL 707-RL50

Grip Range: 1.0 - 4.0mm

ONE

EL 07-RL50

Grip Range: 0.8 - 2.5mm

EL 060-RL50

Grip Range: 2.0 - 5.0mm

Pinchweld Co Extrusions - 50m Rolls cont...

EL EX10-RL50

Grip Range: 0.5 - 2.0mm

EL 057-RL50

Grip Range: 1.0 - 2.0mm

EL 051-RL50

Grip Range: 0.5 - 4.0mm
Wire Cage

EL 111-RL50

Grip Range: 1.0 - 4.5mm
Wire Cage

NEW

EL 005-RL50

Grip Range: 1.0 - 2.5mm

EL 010-RL50

Grip Range: 1.0 - 3.0mm

NEW

EL 006-RL50

Grip Range: 1.0 - 4.0mm

NEW

EL 166-RL50

Grip Range: 0.8 - 2.0mm

EL 002-RL50

Grip Range: 0.8 - 4.0mm

EL 001-RL50

Grip Range: 1.0 - 2.5mm

EL 300-RL25

Grip Range: 0.5 - 2.0mm
25m Roll

NEW

EL 500-RL25

Grip Range: 1.0 - 4.0mm
Wire Cage 25m Roll

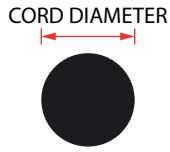
NEW

Special Order Extrusions

MELB Rubber have a number of custom extrusions available on Special Order that may suit your application. We are also able to design, test and create unique products to suit your project.



ROUND NBR RUBBER SOLID CORD

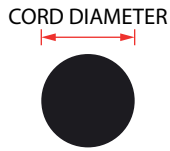


CODE	DIAMETER	ROLL LENGTH
EL 03SC-RL100	3mm	100m
EL 04SC-RL100	4mm	100m
EL 05SC-RL100	5mm	100m
EL 06SC-RL100	6mm	100m
EL 07SC-RL100	7mm	100m
EL 08SC-RL100	8mm	100m
EL 09SC-RL100	9mm	100m

CODE	DIAMETER	ROLL LENGTH
EL 10SC-RL50	10mm	50m
EL 12SC-RL50	12mm	50m
EL 14SC-RL50	14mm	50m
EL 16SC-RL25	16mm	25m
EL 19SC-RL25	19mm	25m
EL 22SC-RL25	22mm	25m
EL 25SC-RL25	25mm	25m

Other sizes available on request.

ROUND EPDM RUBBER SPONGE CORD - 30m ROLLS



CODE	DIAMETER
EL SP219	4mm
EL SP216	5mm
EL SP489	6mm
EL SP143	7mm

CODE	DIAMETER
EL SP138	10mm
EL SP142	12.5mm
EL SP144	15mm
EL SP498	19mm



Other sizes available on request.

RECTANGULAR EPDM RUBBER SPONGE EXTRUSION - 30m ROLLS



CODE	THICKNESS	WIDTH
EL SP497	3mm	32mm
EL SP495	3mm	38mm
EL SP400	6mm	6mm
EL SP401	6mm	13mm
EL SP402	6mm	19mm
EL SP403	6mm	25mm
EL SP431	6mm	32mm
EL SP404	6mm	38mm
EL SP488	6mm	50mm
EL SP405	10mm	10mm
EL SP406	10mm	13mm
EL SP501	10mm	17.5mm
EL SP8757	10mm	19mm
EL P487	10mm	25mm
EL SP545	10mm	38mm

CODE	THICKNESS	WIDTH
EL SP408	13mm	13mm
EL SP410	13mm	19mm
EL SP411	13mm	25mm
EL SP414	13mm	50mm
EL SP423	19mm	19mm
EL SP427	19mm	25mm
EL SP424	19mm	32mm
EL SP425	19mm	38mm
EL SP428	25mm	25mm
EL SP467	25mm	32mm
EL SP429	25mm	38mm
EL SP473	25mm	50mm

Other sizes available on request.

SBR RUBBER INSERTION STRIP - 10m ROLLS



CODE	THICKNESS	WIDTH
EL INST1.5-050-RL10	1.5mm	50mm
EL INST1.5-075-RL10	1.5mm	75mm
EL INST1.5-100-RL10	1.5mm	100mm
EL INST1.5-150-RL10	1.5mm	150mm
EL INST1.5-200-RL10	1.5mm	200mm
EL INST1.5-300-RL10	1.5mm	300mm
EL INST3-050-RL10	3.0mm	50mm
EL INST3-075-RL10	3.0mm	75mm
EL INST3-100-RL10	3.0mm	100mm
EL INST3-150-RL10	3.0mm	150mm
EL INST3-200-RL10	3.0mm	200mm
EL INST3-300-RL10	3.0mm	300mm

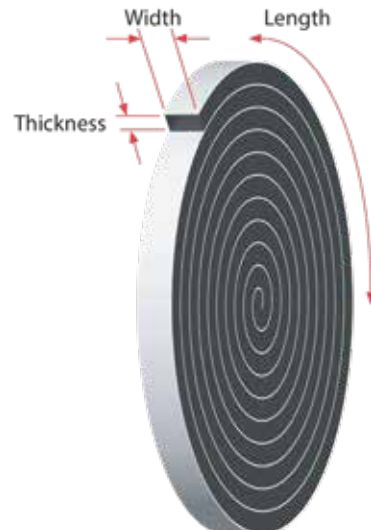
CODE	THICKNESS	WIDTH
EL INST4.5-050-RL10	4.5mm	50mm
EL INST4.5-075-RL10	4.5mm	75mm
EL INST4.5-100-RL10	4.5mm	100mm
EL INST4.5-150-RL10	4.5mm	150mm
EL INST4.5-200-RL10	4.5mm	200mm
EL INST4.5-300-RL10	4.5mm	300mm
EL INST6-050-RL10	6.0mm	50mm
EL INST6-075-RL10	6.0mm	75mm
EL INST6-100-RL10	6.0mm	100mm
EL INST6-150-RL10	6.0mm	150mm
EL INST6-200-RL10	6.0mm	200mm
EL INST6-300-RL10	6.0mm	300mm

Other sizes available on request.

SELF-ADHESIVE EPDM FOAM TAPES

CODE	THICKNESS	WIDTH	ROLL LENGTH
EL-43015-12	1.5mm	12mm	25m
EL-43015-18	1.5mm	16mm	25m
EL-8015-19	1.5mm	19mm	25m
EL-43032-12	3.2mm	12mm	24m
EL-43032-16	3.2mm	16mm	24m
EL-43032-19	3.2mm	19mm	24m
EL-43048-12	4.8mm	12mm	16m
EL-43048-16	4.8mm	16mm	16m
EL-43048-19	4.8mm	19mm	16m
EL-43064-12	6.4mm	12mm	12m
EL-43064-16	6.4mm	16mm	12m
EL-43064-19	6.4mm	19mm	12m
EL-43127-12	12.7mm	12mm	6m
EL-43127-16	12.7mm	16mm	6m
EL-43127-19	12.7mm	19mm	6m

Other sizes, materials and densities are available on request.

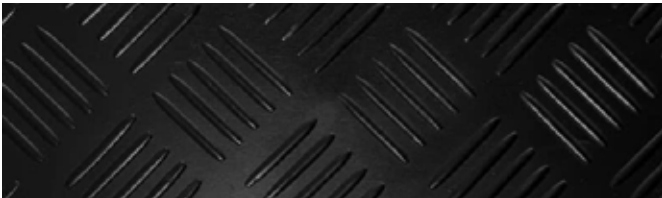


Reinforced NR/SBR Sheet Rubber - 10m Rolls



CODE	THICKNESS	WIDTH	REINFORCED
EL 1.5-120RS-RL10	1.5mm	1200mm	COTTON
EL 3-120RS-RL10	3mm	1200mm	COTTON
EL 4.5-120RS-RL10	4.5mm	1200mm	COTTON
EL 6-120RS-RL10	6mm	1200mm	COTTON
EL 9.5-120RS-RL10	9.5mm	1200mm	COTTON

Checker Plate SBR Matting - 10m Rolls



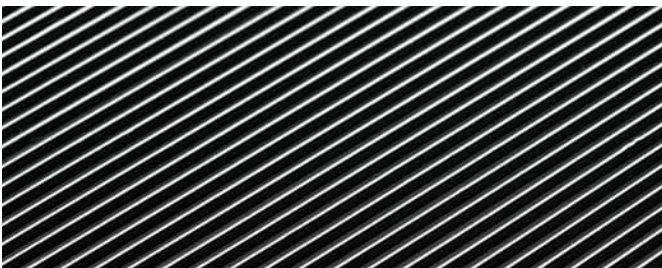
CODE	THICKNESS	WIDTH	REINFORCED
EL 3.5-120CP-RL10	3.5mm	1200mm	NO

Wide Rib SBR Sheet Matting - 10m Rolls



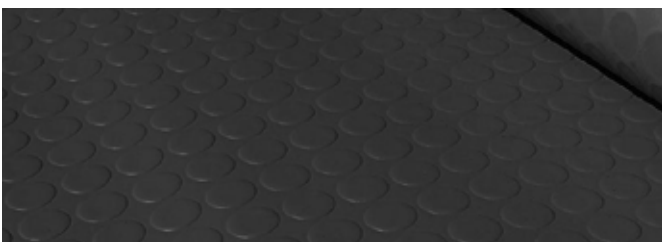
CODE	THICKNESS	WIDTH	REINFORCED
EL 3.5-183WR-RL10	3.5mm	1830mm	NO
EL 5-183WR-RL10	5mm	1830mm	COTTON

Fine Rib SBR Sheet Matting - 10m Rolls



CODE	THICKNESS	WIDTH	REINFORCED
EL 3.5-183FR-RL10	3.5mm	1830mm	NO
EL 5-183FR-RL10	5mm	1830mm	COTTON

Stud Sheet Matting SBR - 10m Rolls



CODE	THICKNESS	WIDTH	REINFORCED
EL 3.5-183SS-RL10	3.5mm	1830mm	NO
EL 5-183SS-RL10	5mm	1830mm	COTTON

ANTI VIBRATION PAD - EPDM RUBBER



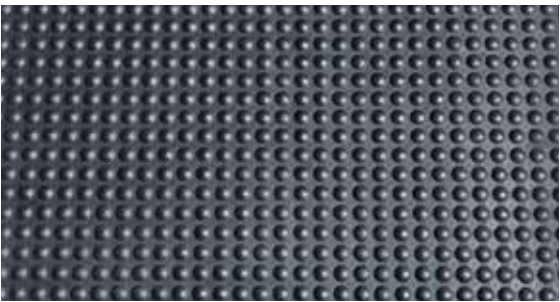
CODE	SIZE	THICKNESS
EL - AV450	450mm*450mm	8mm

ANTI FATIGUE SLIP MAT



CODE	SIZE	THICKNESS
EL - AFM12	910mm*1530mm	12mm

ERGONOMIC MAT



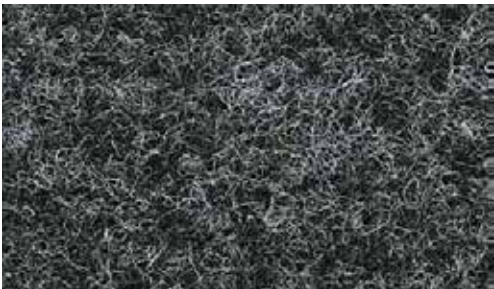
CODE	SIZE	THICKNESS
EL - AFM12	910mm*1530mm	12mm

Marine Carpet



EL PFB 2 - Flexible Automotive Carpet Black

CODE	WEIGHT	WIDTH	ROLL LENGTH
EL PFB 2	425 GSM	200 cm	25M
EL LLC 3	570 GSM	200 cm	25M



EL LLC 3 - Marine Carpet Grey

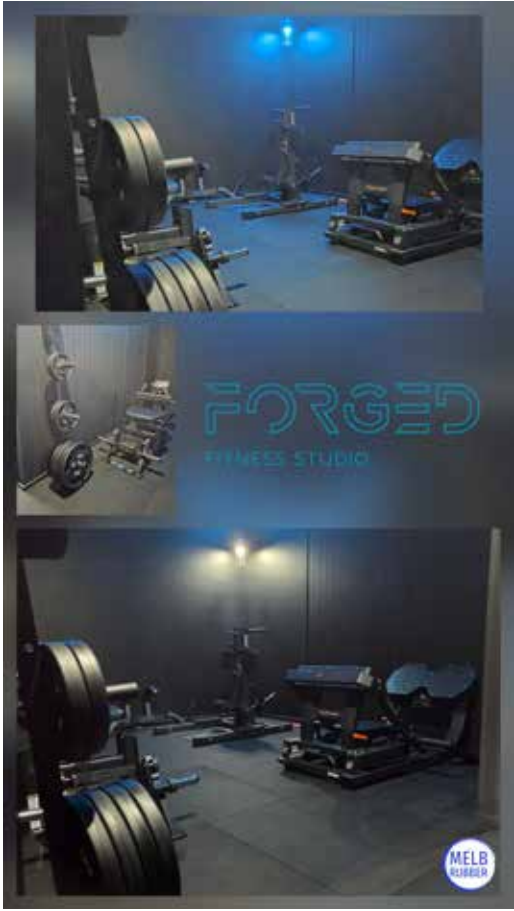
GYM MAT



CODE	SIZE	THICKNESS
GYMMAT	1000mm*1000mm	15mm

Premium Commercial Grade Rubber Gym Flooring

- Dimensions : 1m2 X 15MM thick
- EPDM Rubber Granules
- Colours available are Black, Black with Blue Fleck (other colours available upon request)
- Durable, heavy-duty construction
- Superior shock and impact absorption
- Easy to install and maintain
- Suitable for commercial gyms, training studios, home gyms, and outdoor areas



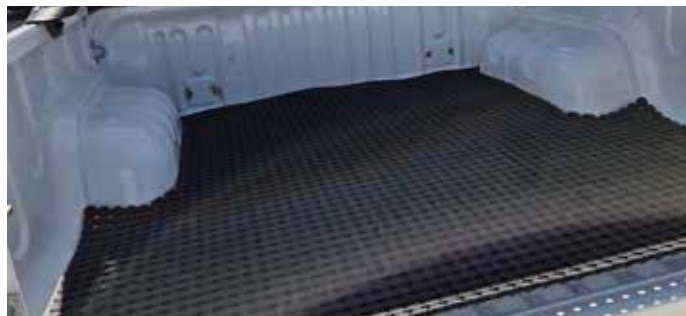
Ute Matting - 10m Rolls



CODE	THICKNESS	WIDTH	ROLL LENGTH
EL 183UM-RL10	10mm	1830mm	10m

***Custom Cutting Available In-Store**

UV-resistant, grease-proof and durable rubber mat designed to protect ute trays, trailers and tool boxes. Features suction cups on the underside to help keep the mat securely in place. Drainage holes allow water to flow through, reducing the risk of corrosion. Can be easily trimmed to suit the required size or shape.



Horse Float Rubber / Hammer Matting - 10m Rolls



CODE	THICKNESS	WIDTH	REINFORCED
EL HFR08-RL10	8mm	2000mm	NYLON

Hammer matting is excellent for animal stable and float flooring due to its durability and the extra grip it provides the animal. The rubber material offers a comfortable and soft flooring option, reducing joint stiffness and improving blood circulation for horses, it is made from SBR.

- Enhanced safety.
- Protection and Support

High Ribbed Ramp Matting - 1200mm x 2400mm



CODE	THICKNESS	WIDTH	REINFORCED
EL HR1200	12mm	1200mm x 2400mm	NYLON

Wall or Divider Rubber



CODE	THICKNESS	WIDTH	REINFORCED
EL WDR1200	Various	1200mm	NYLON

Reinforced NR/SBR Sheet Rubber - 10m Rolls

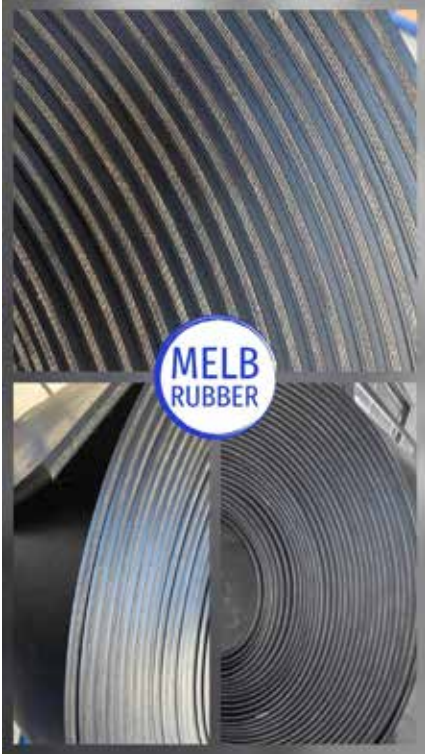


CODE	THICKNESS	WIDTH	REINFORCED
EL 1.5-120RS-RL10	1.5mm	1200mm	COTTON
EL 3-120RS-RL10	3mm	1200mm	COTTON
EL 4.5-120RS-RL10	4.5mm	1200mm	COTTON
EL 6-120RS-RL10	6mm	1200mm	COTTON
EL 9.5-120RS-RL10	9.5mm	1200mm	COTTON

Heavy Duty Conveyor Belt Rubber

Resistant to:

- ✦ High Temperatures ✦ Most Chemicals
- ✦ Cracking ✦ Wearing ✦ Tearing ✦ UV



CODE	THICKNESS	WIDTH	REINFORCED
EL CB10	10mm	730mm	Yes, 3 Ply Nylon Thread



Second Hand Conveyor Belt

Resistant to:

- ✦ High Temperatures ✦ Most Chemicals
- ✦ Cracking ✦ Wearing ✦ Tearing ✦ UV



CODE	THICKNESS	WIDTH	REINFORCED
EL SCB10	10mm *	1200mm *	Yes, 3 Ply Nylon Thread

* Various thicknesses and widths available upon request.

Brand New Conveyor Belt

Various Grades: N17, M24, MOR (Mild Oil Resistant), Oil Resistant, Heat Resistant

Belting Width Range: 400–2200 mm

Ply Options: 2–3–4 ply (EP or PN fabric)

Application: Suitable for quarrying, mining, recycling, various farming and machinery applications. N17 and M24 grades offer superior tensile strength and abrasion resistance.

Second Hand Conveyor Belt / Split Belt

This product is split into various thicknesses from 3mm up to 15mm and a variety of widths starting from 100mm up to 2500mm.

Splitbelt can be used for over 100 different purposes, from livestock yards, arenas, stables, transport vehicles, around the garden and shed flooring just to name a few. Its strength comes from the nylon ply which is throughout each belt from 1 ply up to 5 ply.

Whilst being second hand and with a few imperfections here and there it is strong and durable and it will not deteriorate in the harsh Australian weather conditions.

Wheel Arch Flares

EL-WAF45-RL3

✳️ 3m Roll

EL-WAF45-RL6

✳️ 6m Roll

EL-WAF70-RL3

✳️ 3m Roll

EL-WAF70-RL6

✳️ 6m Roll

FLOCKING - BAILEY CHANNEL - 30m ROLLS



EL FL017-RL30

Door Belt Extrusion Comm Outer

EL FL622-RL30

✳️ Suits Commodore VB-VL pillar

EL FL502-RL30

✳️ Suits Ford XD-XF Pillar and other

EL FL501-RL30

✳️ Various Falcon
✳️ Some F100 pillar

EL FL1150-RL30

✳️ Suits Holden HQ-WB

EL FL500-RL30

✳️ Suits Commodore VB-VL main bailey

EL FL068-RL30

✳️ Universal ✳️ Suits Holden FX-HG

EL FL069-RL30

✳️ Jag XJ6 ✳️ Nissan G60
✳️ Toyota FJ

EL FL026-RL30

✳️ Universal

EL FL426-RL30

✳️ Suits Cortina and Escort

EL FL628-RL30

✳️ XW-XY, XA-XB Rear, Datsun 1600

EL FL067-RL30

12mm x 12mm U-Section folded
✳️ Universal

EL FL020-RL30

✳️ Fits Coaster / Hi Ace / Troopy Bus Dual Sliding Windows

Dimensions shown above are for the size of the flocking after it has been installed.

GLAZING RUBBERS - 30m ROLLS

EL-GL1-RL30

EL-GL2-RL30

EL-ACCOLOCK-RL30

International Trucks Locking Strip

EL-08-RL30

Use OZ-GL1 Locker

EL-VAN-RL30

Use OZ-GL1 Locker

EL-7782-RL30

Use OZ-GL2 Locker

EL-1059-RL30

Use OZ-GL2 Locker

EL-G5-RL30

Use OZ-GL2 Locker

EL-PBR-RL30

Includes locker

EL-BUS-RUB-RL30

Use OZ-GL2 Locker

EL-1317-RL30

Use OZ-GL2 Locker

EL-1318-RL30

GLAZING RUBBERS - 30m ROLLS cont...

EL-SL08-RL30

EL-SL1059-RL30

EL-SL7782-RL30

EL-SL265-RL30

EL-CAT10-RL30

✳ Fits 10mm glass

EL WOB-101-RL30

Use OZ-GL1 Locker

EL-G209-RL30

EL-G309-RL30

EL-G703-RL30

EL-G704-RL30

EL-R32-RL50

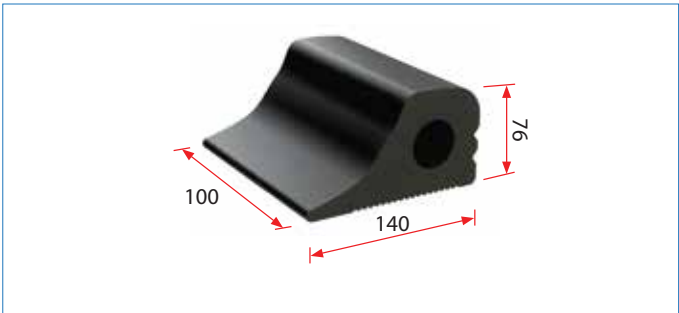
✳ 50m Roll

EL-U723-RL50

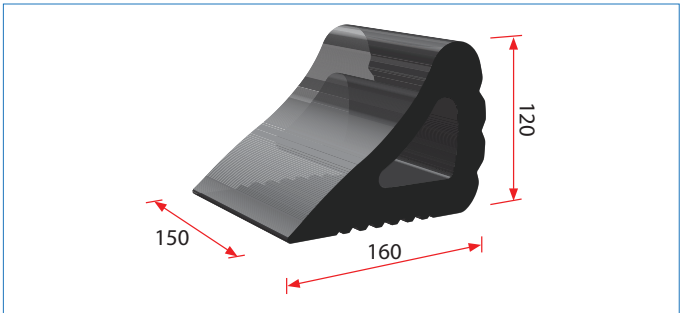
✳ 50m Roll

OPEN

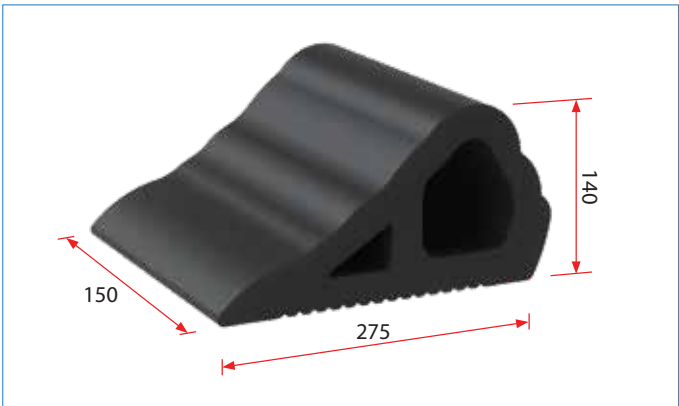
WHEEL CHOCKS



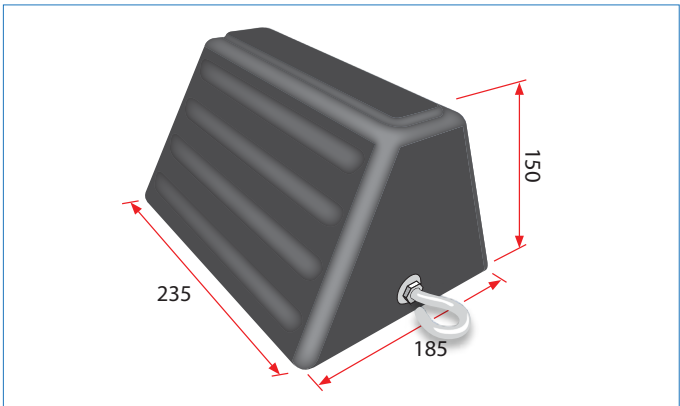
CODE	LENGTH	WIDTH	HEIGHT
EL WC103	140mm	100mm	76mm



CODE	LENGTH	WIDTH	HEIGHT
EL WC102	160mm	150mm	120mm

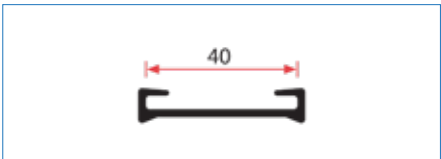


CODE	LENGTH	WIDTH	HEIGHT
EL WC104	275mm	150mm	140mm

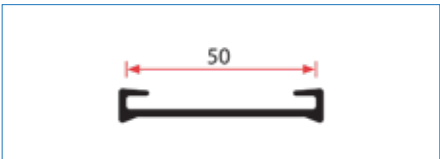


CODE	LENGTH	WIDTH	HEIGHT
EL WC101	185mm	235mm	150mm

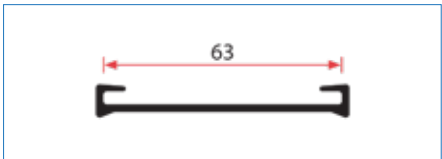
TANK STRAPS



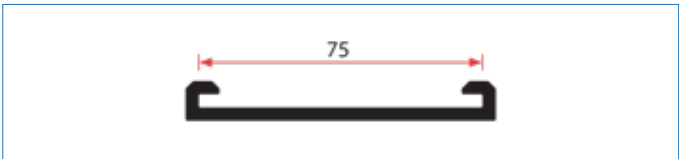
CODE	TYPE	ROLL LENGTH
EL TS40N-RL50	NBR	50m



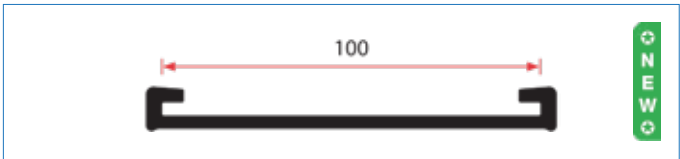
CODE	TYPE	ROLL LENGTH
EL TS50N-RL50	NBR	50m



CODE	TYPE	ROLL LENGTH
EL TS63N-RL50	NBR	50m



CODE	TYPE	ROLL LENGTH
EL TS75N-RL25	NBR	25m



CODE	TYPE	ROLL LENGTH
EL TS100N-RL25	NBR	25m

DOCKING RUBBERS - 3m LENGTHS

CODE	WIDTH	HEIGHT	WALL
EL DR554-L3	105mm	95mm	18mm

CODE	WIDTH	HEIGHT	WALL
EL DR100-L3	110mm	90mm	20mm

CODE	WIDTH	HEIGHT	WALL
EL DR442-L3	100mm	80mm	11.5mm

CODE	WIDTH	HEIGHT	WALL
EL DR441-L3	75mm	65mm	10mm

CODE	WIDTH	HEIGHT	WALL
EL DR75-L3	75mm	65mm	15mm

CODE	WIDTH	HEIGHT	WALL
EL DR50-L3	50mm	40mm	8mm

CODE	WIDTH	HEIGHT	WALL
EL DR440-L3	50mm	40mm	8mm



All Docking Rubbers can be Cut and Drilled to customer specifications.

ADDITIONAL PRODUCTS

- ★ Bracket Straps
- ★ PVC Roller Door Seals
- ★ Rubber Adhesives
- ★ Rubber Cutting Tools
- ★ Water Jet Cut Gaskets
- ★ Rubber Ring Seals for Pipes
- ★ Self-Adhesive Taping
- ★ Thermal / Acoustic Insulation
- ★ Tie-Down Straps
- ★ Pelmet Extrusions
- ★ Custom Extrusions

CUSTOM EXTRUSIONS & GASKETS

Gaskets are seals placed between two connected surfaces to stop leaks or friction. In systems that move or hold liquids and gases, gaskets keep the fluid inside and prevent dirt or other unwanted materials from getting in. This helps avoid waste and protects the equipment from damage.



With so many gasket materials available, choosing the right one can be challenging. That's why it's best to work with an experienced gasket manufacturer. At MELB RUBBER we understand different materials and application requirements, ensuring you get the right gasket for reliable performance and long-term durability.



Rubber and Silicone comes in a wide range of formulations and grades, each of which offers distinct characteristics that make it suitable for different applications, these materials include :

- ★ Neoprene
- ★ Nitrile (Buna-N)
- ★ Ethylene Propylene Diene Monomer (EPDM)
- ★ Silicone Rubber
- ★ Viton®
- ★ Styrene Butadiene Rubber (SBR)
- ★ Butyl Rubber
- ★ Natural Rubber
- ★ Cloth-Inserted Rubber
- ★ Polyurethane Rubber
- ★ Food Grade (FDA Approved) Rubber
- ★ HDPE Polyethylene Sheeting

For pricing, CAD file submission, or engineering consultation regarding your gasket requirements, contact MELB RUBBER to initiate production.



1A - 119 Borella Rd, Albury
0459 667 861
melbrubber.01@gmail.com